



# AutoCut Dispenser Midi

AutoCut Spender midi

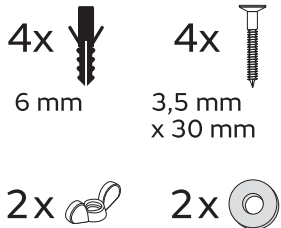
Handdoekroldispenser AutoCut midi

Distributeur pour essuie-mains en rouleau à découpe automatique midi

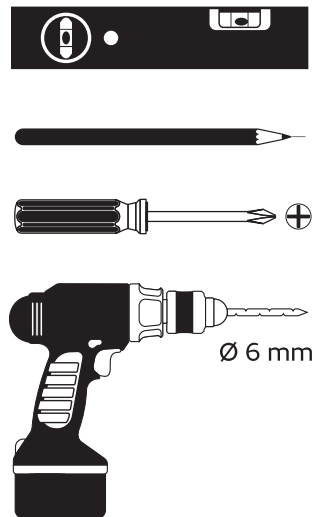
Dozownik AutoCut midi

Item No.: **331520**

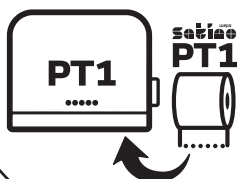
## Supplied



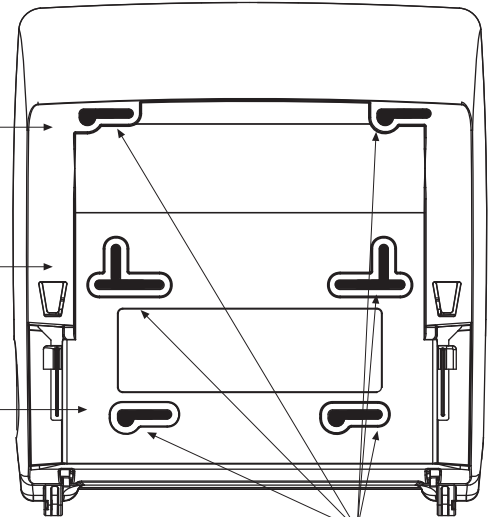
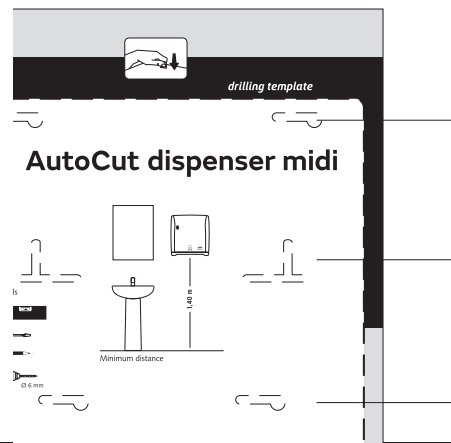
## Needed tools



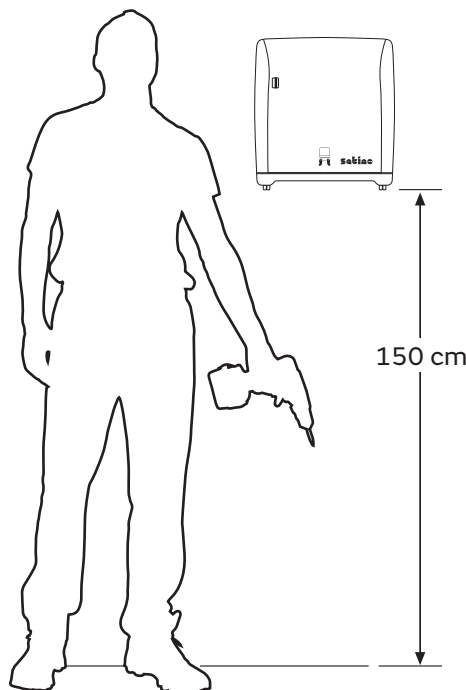
## Suitable for




## Mounting



## Preferred distance



1. Cut off the drilling template from the backside of the dispenser-box
2. Fix the template at preferred position

3.  Ø 6 mm  
mark by pen + drill holes

### AutoCut Dispenser Midi

Item No.: 331520

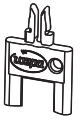
#### Key-Lock

Press down the key to open the dispenser.



Remove the key and fold the front cover against the back plate.

Dispenser is locked.



Keep safe.

#### Operation

**1**

Put the Satino by WEPA Hand Towel Roll PT 1 over the cylinder and hook it into the lateral roll holders.

**2**

Thread paper behind the web guide.

**3**

Then lead the paper from the front on the cutting roller.

**4**

Turn the lateral knob clockwise until the paper is coming out from the bottom of the dispenser.

**!** No paper towel to see? – Turn lateral knob clockwise!

**5**

Close the front door and pull the paper down

**!** Just pull down with both hands!

